

Outdoor Lounger Chair

Kasper Borchers, 2019



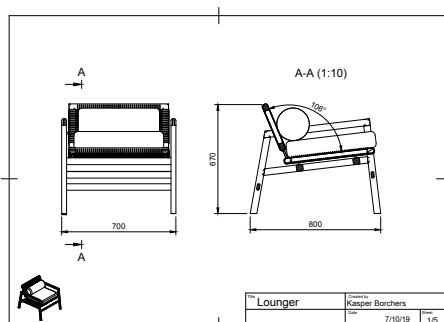
Lounger Chair

CODE	1.00.00	<p>The wooden lounger is part of MDT's outdoor furniture collection. The design was created together with Kasper Borchers. The lounger is made of high-quality eucalyptus wood and is suitable for outdoor use. The furniture was designed to be stackable and consists of only a few components. The seat and backrest are hand-woven, optionally from flax or coconut rope.</p>	Materials
WIDTH	700		-Structure: made of Portuguese eucalyptus wood
DEPTH	800		Suitable for outdoor use.
HEIGHT	670		
SEAT HEIGHT	336		
ARM HEIGHT	580		-Seat/Backrest: Woven flax yarn or coconut yarn.
MASS	7kg		
DESIGNER	Kasper Borchers		
ASSEMBLY	Not required		

DIMENSIONEN

MATERIALS

ACCESSORIES



SELECTION ROPES SEAT/BACKREST AREA

- 1**
MATERIAL: COCOS
COLOUR: NATUR
- 2**
MATERIAL: FLAX
COLOUR: NATUR

SELECTION OF LINEN CUSHIONS

- 10**
MATERIAL: SISAL
COLOUR: NATUR
- 11**
MATERIAL: LEINEN
COLOUR: BEIGE

ACCESOIRES

- 6001 : Seat cushion
- 6002 : Cylidric Kisses
- 5001 : Protective cover (Single Chair)
- 5002 : Protective cover (4 chairs)