

Outdoor Dining Chair

Kasper Borchers, 2019



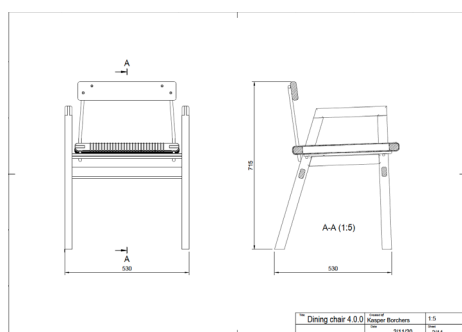
Dining chair

CODE	4.00.00	In the Dining Chair you can see the same design principles as in the Outdoor Lounger.	Materials
WIDTH	530	Narrow and solid wooden profiles, woven seat and two side frames that serve as armrests.	-Structure: made of Portuguese eucalyptus wood
DEPTH	530	The backrest of the Dining Chair is made of eucalyptus wood, which is connected to the seat frame with a stainless steel joint and two stainless steel bolts.	Suitable for outdoor use.
HEIGHT	670		
SEAT HEIGHT	350		
ARM HEIGHT	612		-Seat/Backrest: Woven flax yarn or coconut yarn, Eucalyptus.
MASS	6kg		
DESIGNER	Kasper Borchers		
ASSEMBLY	Not required		

DIMENSIONEN

MATERIALS

ACCESSORIES



SELECTION ROPES SEAT/BACKREST AREA

1
MATERIAL: COCOS
COLOUR: NATUR

2
MATERIAL: FLAX
COLOUR: NATUR

SELECTION OF LINEN CUSHIONS

10
MATERIAL: SISAL
COLOUR: NATUR

11
MATERIAL: LEINEN
COLOUR: BEIGE

ACCESSOIRES

6001 : Seat cushion

6002 : Cylidric Kisses

5001 : Protective cover (Single Chair)

5002 : Protective cover (4 chairs)