

// EVENT SYSTEM



TYPE EV TENSILATION

MODULAR EVENT
CANOPY

FRAME

COLOUR

— Anthracite matte DB 703

MECHANIC

— Self-locking cleat and double pulley system

COVER

MDT-TEX 260 FR

— (Polyester - fire retardant)

More on request

ANCHORINGS

INGROUND TUBE

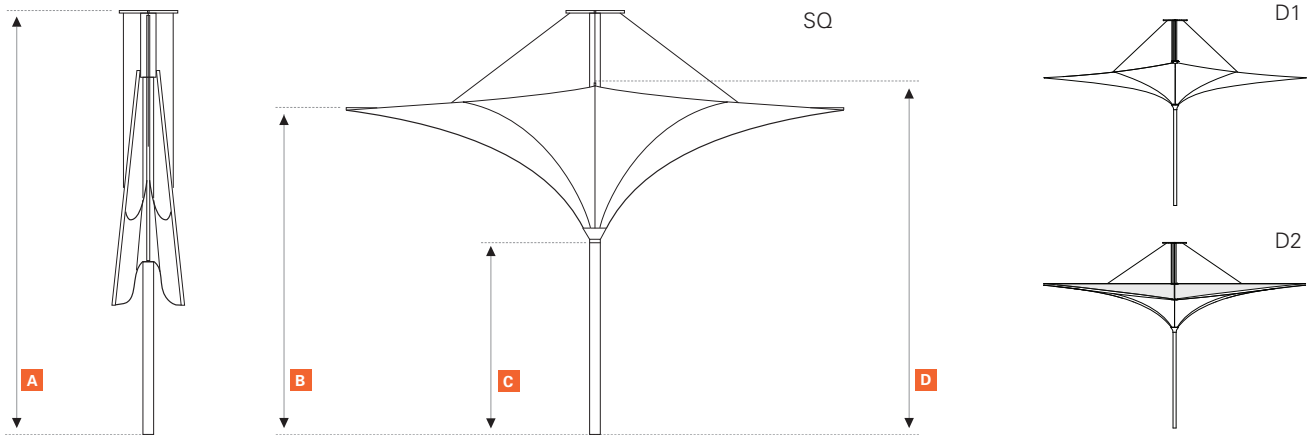
— Type 080 with integrated water pipes

STEEL GROUND PIN

— Type 080

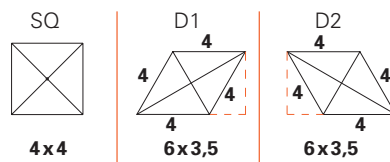
SELF-LEVELING FLOORING SYSTEM

// DIMENSIONS & MEASURES



DIMENSIONS ARE IN METERS

*all measurements are rounded



MASS

	SQ	D1	D2
Umbrella with packaging (kg)	43,3	45	44,8
Umbrella without packaging (kg)	37,3	38	37,8
Frame (kg)	28,8	29,5	29,3
Cover (kg)	4	4	4
Mesh (kg)	4,5	4,5	4,5

CLOSED UMBRELLA

A	SQ	D1	D2
Closed height (cm)	457,6	480	480

OPENED UMBRELLA

A	SQ	D1	D2
Mast height (cm)	457,6	480	480
C Height to funnel (cm)	250	250	250
B Low spokes height (cm)	330	330	330
D High spokes height (cm)	370	370	370

PACKAGING DIMENSIONS

	SQ	D1	D2
Dimensions of cardboard packaging (cm)	40x40x360	40x40x390	40x40x390
Excess length of mast (cm)	100	90	90

ACCESSORIES

	SQ	D1	D2
Flooring system (*1) Article No.			
Inground tube with sleeve adapter (*2) Article No.	Type 080	Type 080	Type 080

all dimensions + weights given are approximate

