

// CLASSIC-COLLECTION



TYPE S CLASSICS

THE
TENSION UMBRELLA

FRAME

COLOUR

- white RAL 9010
- black RAL 9005
- silver RAL 9006

MECHANIC

- Tension system

COVER

MDT-TEX 260 FR

- (Polyester - fire retardant)

MDT-TEX 300

- (Acryl)

more on request

ANCHORINGS

FRAME BASE

- Type 060 & Type 080

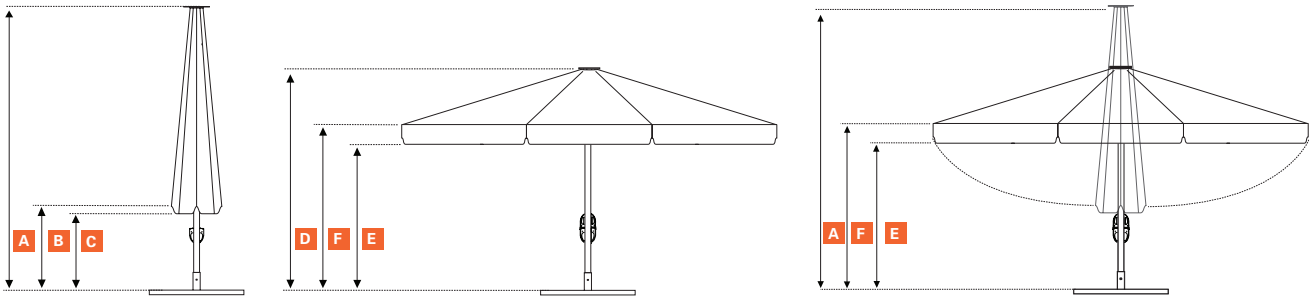
STEEL PLATE BASE

- Type 060 & Type 080


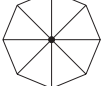
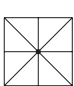
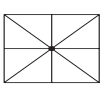
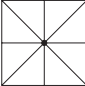
INGROUND TUBE

- Type 060 & Type 080

// DIMENSIONS & MEASURES

**DIMENSIONS ARE IN METERS**

*all measurements are rounded

	 Ø3	 Ø4	 3x3	 3x4	 4x4
MASS					
Umbrella with packaging (kg)	35	38,6	43	44,5	41
Umbrella without packaging (kg)	31	34,6	39	40,5	37
Frame (kg)	28	31	36	37	33
Cover (kg)	3	3,6	3	3,5	4

CLOSED UMBRELLA

A Closed height (cm)	351	338	351	407	407
B Distance from volances to ground (cm)	149	113	149	119	93
C Distance from spokes to ground (cm)	200	143	141	152	126

OPEN UMBRELLA

D Opened height (cm)	285	285	290	297	305
E Distance from volances to ground (cm)	190	192	218	193	202
F Distance from spokes to ground (cm)	230	216	227	226	223

PACKAGING DIMENSIONS

Total length (cm)	351	338	351	407	407
Dimensions of carboard packaging (cm)	30x30x300	30x30x300	30x30x300	30x30x300	30x30x300
Length of mast extruding from box (cm)	51	38	51	107	107

ACCESSORIES

Adapter Article No.	Type 060 00338	Type 060 00338	Type 060 00338	Type 060 00338	Type 080 00336
Frame base Article No.	Type 060/505 00364	Type 060/505 00364	Type 060/505 00364	Type 060/505 00364	Type 080/508 00363
Steel plate base Article No.	Type 060/120 04924-D	Type 060/120 04924-D	Type 060/120 04924-D	Type 060/120 04924-D	Type 080/240 01556
Inground tube Article No.	Type 060 00956	Type 060 00956	Type 060 00956	Type 060 00956	Type 080 00330
Protective sleeve size Article No.	XS 01352	S 01687	S 01687	M 00962	M 00962

all dimensions + weights given are approximate