

ARROW

WOOD BENCH COLLECTION

The Arrow benches, ideal for city parks and streetscapes, combine sustainable eucalyptus wood with painted steel for durability and a modern look. They feature a sliding mechanism for adaptable seating and integrated lighting for safety and ambience.



DESCRIPTION

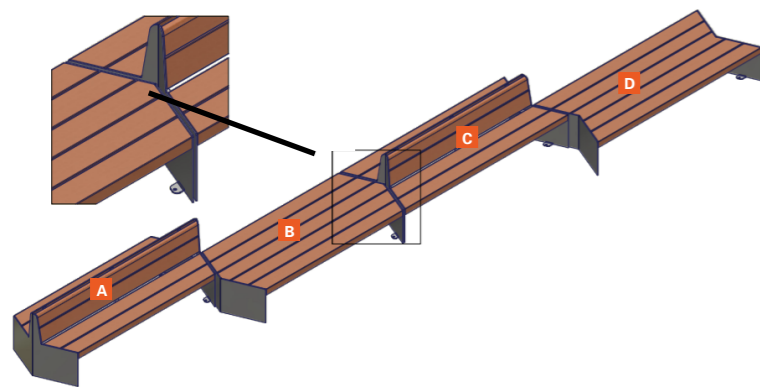
The Arrow wooden bench collection can be combined from 4 parts. Wooden bench with backrest and wooden bench without backrest.

ANCHORING

Fixed/attached to the floor

MATERIAL

- Steel side parts made of galvanized/painted steel
- Wooden slats made of hardwood Eucalyptus Grandis



A WOODEN BENCH WITH BACKREST CONVEX

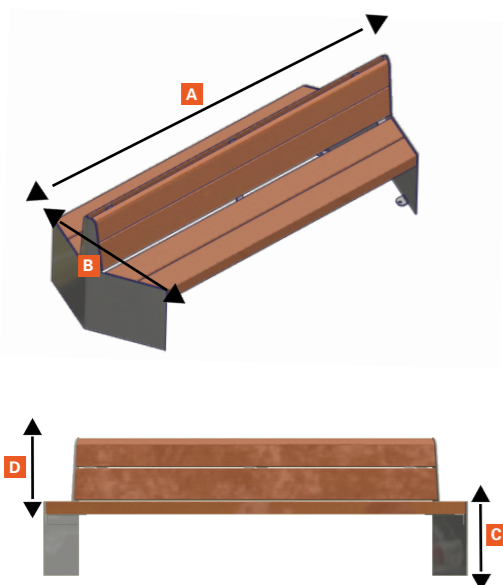
SIZE IN CM*
*all dimensions approx.

WEIGHT

Bench in kg	60 kg
-------------	-------

MASSE

A Total length of the bench	2000 cm
B Total width of the bank	780 cm
C Ground clearance to seat	350 cm
D Length backrest	350 cm



B WOODEN BENCH WITHOUT BACKREST CONVEX

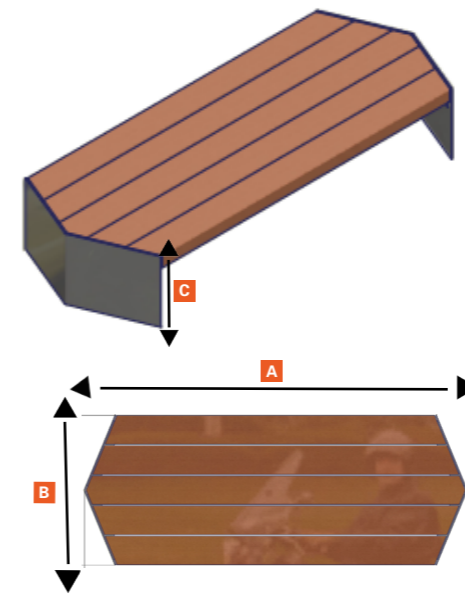
SIZE IN CM*
*all dimensions approx.

WEIGHT

Bench in kg	50 kg
-------------	-------

MASSE

A Total length of the bench	2000 cm
B Total width of the bank	780 cm
C Ground clearance to seat	350 cm



C WOODEN BENCH WITH BACKREST CONCAVE

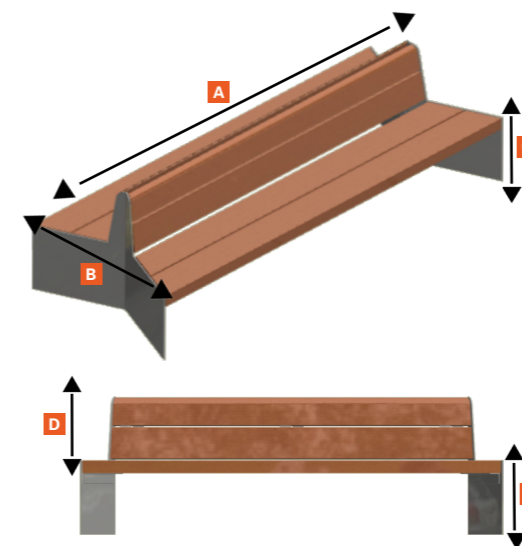
SIZE IN CM
*all dimensions approx.

WEIGHT

Bench in kg	60 kg
-------------	-------

MASSE

A Total length of the bench	2000 cm
B Total width of the bank	780 cm
C Ground clearance to seat	350 cm
D Length backrest	350 cm



D WOODEN BENCH WITHOUT BACKREST CONCAVE

SIZE IN CM*
*all dimensions approx.

WEIGHT

Bench in kg	50 kg
-------------	-------

MASSE

A Total length of the bench	2000 cm
B Total width of the bank	780 cm
C Ground clearance to seat	350 cm

