

// CLASSIC-COLLECTION



TYPE T STORM SAFE

THE
STORM SAFE TELESCOPIC UMBRELLA
WITH PIPING PROFILES

FRAME

- POLE 100mm
- TELESCOPEM 60x60x3
- STRUTS
 - 4x4 : 50x20x3
 - 5x5 : 50x30x3

MECHANIC

- Hand crank

COVER

IN SINGLE SEGMENTS

- MDT-TEX 260 FR
 - (Polyester - fire retardant)

MDT-TEX 300

- (Acryl)
- PVC 680 G/m²
- Precontraint 480 g/m²

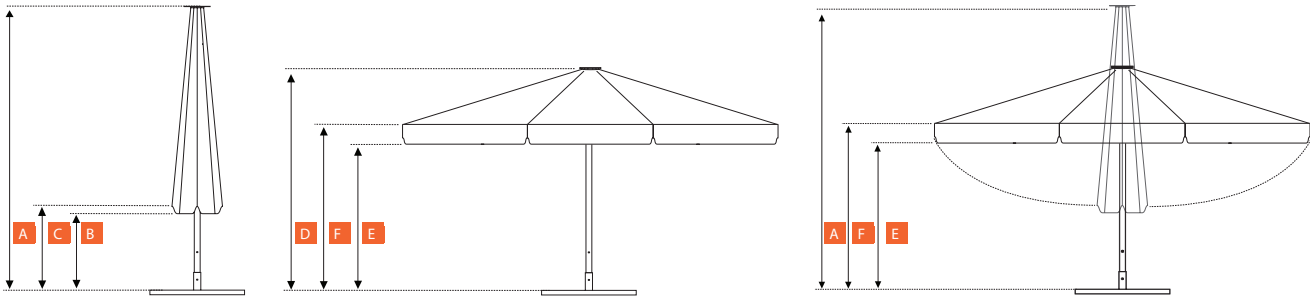
more on request

ANCHORINGS

INGROUND TUBE

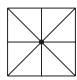
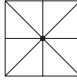
- Type 100

// DIMENSIONS & MEASURES



DIMENSIONS ARE IN METERS

*all measurements are rounded

		
	4 x 4	5 x 5
MASS		
Umbrella with packaging (kg)	57	71
Umbrella without packaging (kg)	54	66
Frame (kg)	48	57
Cover (kg)	6	9

CLOSED UMBRELLA

A Closed height (cm)	416	444
B Distance from volants to ground (cm)	106	62
C Distance from spokes to ground (cm)	136	92

OPEN UMBRELLA

D Opened height (cm)	314	321
E Distance from volants to ground (cm)	210	210
F Distance from spokes to ground (cm)	240	240

PACKAGING DIMENSIONS

Total length (cm)	416	425
Dimensions of cardboard packaging (cm)	40x40x430	40x40x430
Length of mast extruding from box (cm)	60	65

ACCESSORIES

Adapter Article No.	-	-
Foldable adapter Article No.	Type 100 01951-D	Type 100 01951-D
Frame base Article No.	-	-
Inground tube with adapter Article No.	-	-
Inground tube with foldable adapter Article No.	Type 100 02714-D	Type 100 02714-D
Protective sleeve size Article No.	L 00961	XL 06673

all dimensions + weights given are approximate